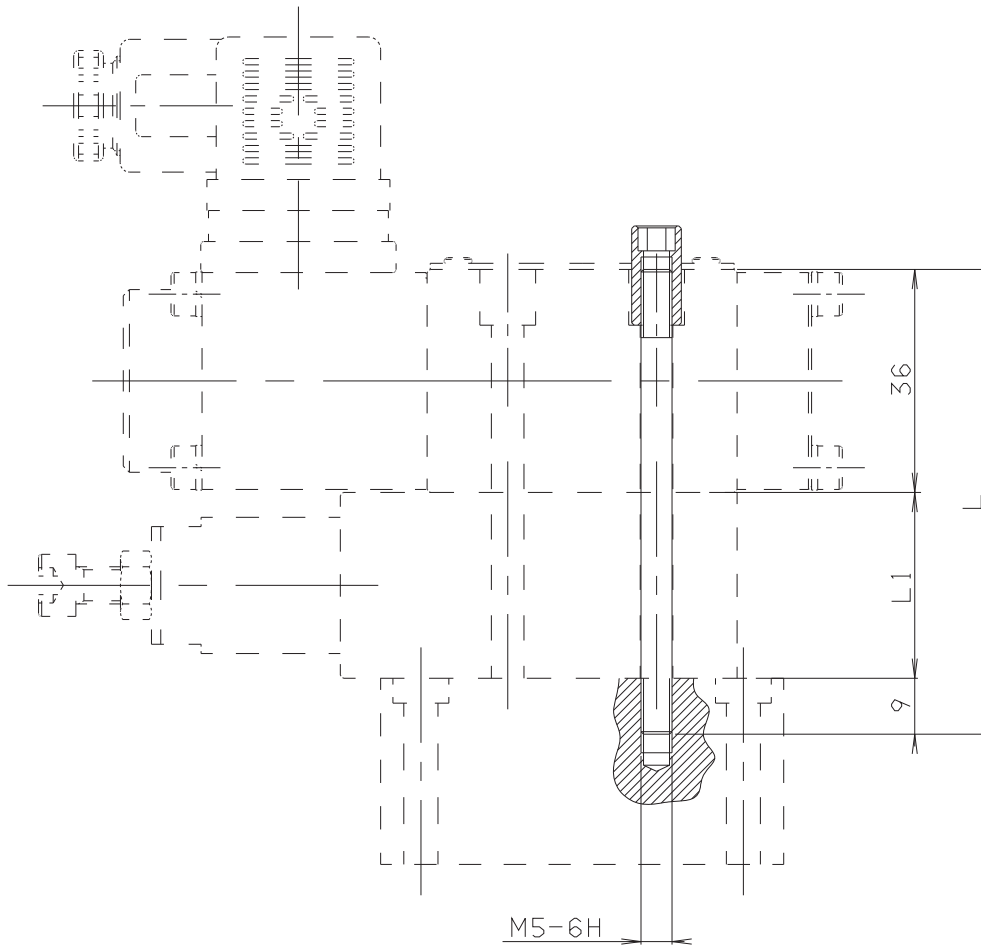


OVERALL DIMENSIONS

Tighten M27.05.0001 to a torque of 5 Nm / 0.5 Kgm max.



4

SCREWS CODE T.C.E.I	L	L1	COMPOSITION	Qty.	
Q26.07.4069	35	/	AD2...	4	
Q26.07.4243	65	30	AD2... + 1 AM2... (ISO)	4	
Q26.07.4252	95	60	AD2... + 2 AM2... (ISO)		
STUDS CODE	L	L1	COMPOSITION	SPECIAL NUTS CODE	Qty.
M80.10.0008	135	90	AD2... + 3 AM2...	M27.05.0001	4
M80.10.0020	165	120	AD2... + 4 AM2...	M27.05.0001	4