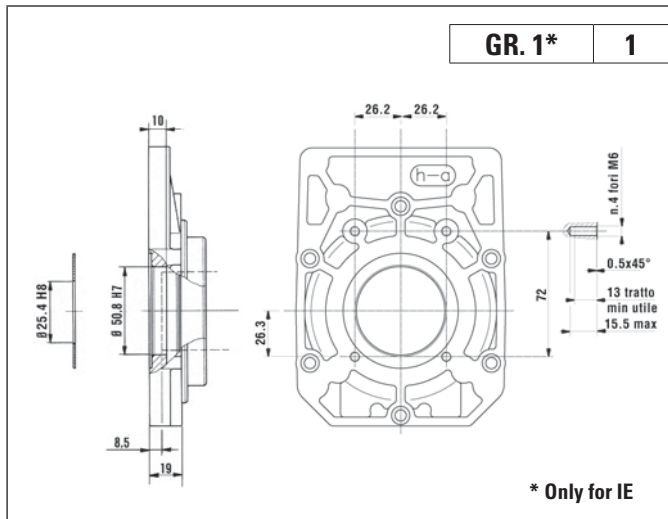


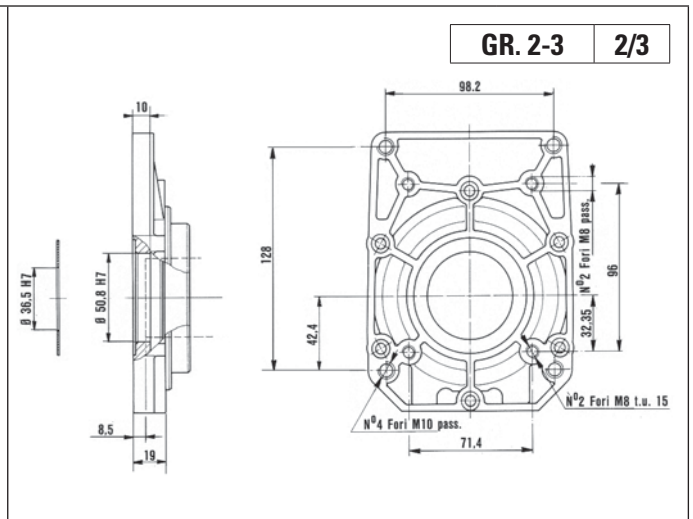
Spare parts flange and screw kit <b>14050012</b>	Spare parts flange and screw kit <b>14050011</b>	Spare parts flange and screw kit <b>14050055</b>																																
Spare parts flange and screw kit <b>1405008</b>	Spare parts flange and screw kit <b>14050005</b>	Spare parts flange and screw kit <b>14050006</b>																																
Spare parts flange and screw kit <b>14050062</b>	Spare parts flange and screw kit <b>14050010</b>	Spare parts flange and screw kit <b>14050013</b>																																
	<table border="1"> <thead> <tr> <th>Pump type</th> <th>Z</th> <th>H</th> </tr> </thead> <tbody> <tr> <td><b>A</b> SAE A</td> <td>25</td> <td>25</td> </tr> <tr> <td><b>B</b> SAE B</td> <td>12</td> <td>25</td> </tr> <tr> <td><b>C</b> SAE C</td> <td>15</td> <td>28</td> </tr> <tr> <td><b>D</b> GR. 2</td> <td>22</td> <td>22</td> </tr> <tr> <td><b>E</b> GR. 3</td> <td>22</td> <td>22</td> </tr> <tr> <td><b>F</b> GR. 3.5</td> <td>24.5</td> <td>24.5</td> </tr> <tr> <td><b>G</b> GR. 4</td> <td>36</td> <td>36</td> </tr> <tr> <td><b>L</b> ISO 1</td> <td>20.5</td> <td>26.5</td> </tr> <tr> <td><b>M</b> ISO 2</td> <td>33</td> <td>43</td> </tr> <tr> <td><b>P</b> ISO 3</td> <td>57</td> <td>72</td> </tr> </tbody> </table>	Pump type	Z	H	<b>A</b> SAE A	25	25	<b>B</b> SAE B	12	25	<b>C</b> SAE C	15	28	<b>D</b> GR. 2	22	22	<b>E</b> GR. 3	22	22	<b>F</b> GR. 3.5	24.5	24.5	<b>G</b> GR. 4	36	36	<b>L</b> ISO 1	20.5	26.5	<b>M</b> ISO 2	33	43	<b>P</b> ISO 3	57	72
Pump type	Z	H																																
<b>A</b> SAE A	25	25																																
<b>B</b> SAE B	12	25																																
<b>C</b> SAE C	15	28																																
<b>D</b> GR. 2	22	22																																
<b>E</b> GR. 3	22	22																																
<b>F</b> GR. 3.5	24.5	24.5																																
<b>G</b> GR. 4	36	36																																
<b>L</b> ISO 1	20.5	26.5																																
<b>M</b> ISO 2	33	43																																
<b>P</b> ISO 3	57	72																																
Spare parts flange and screw kit <b>14050060</b>																																		

# FLANGES IM1 / IE

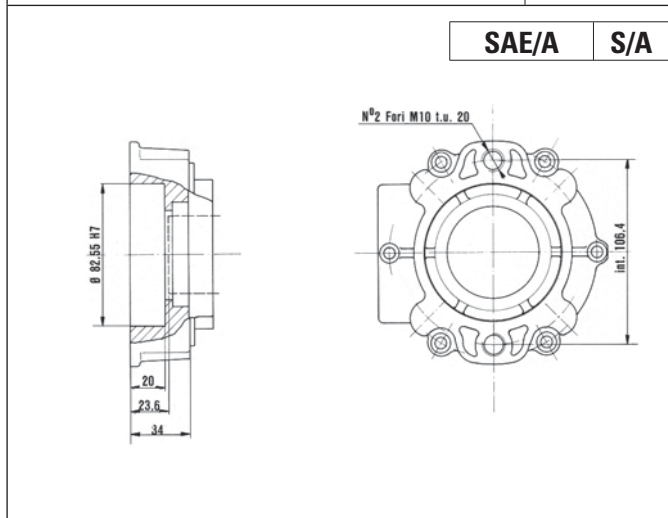
4



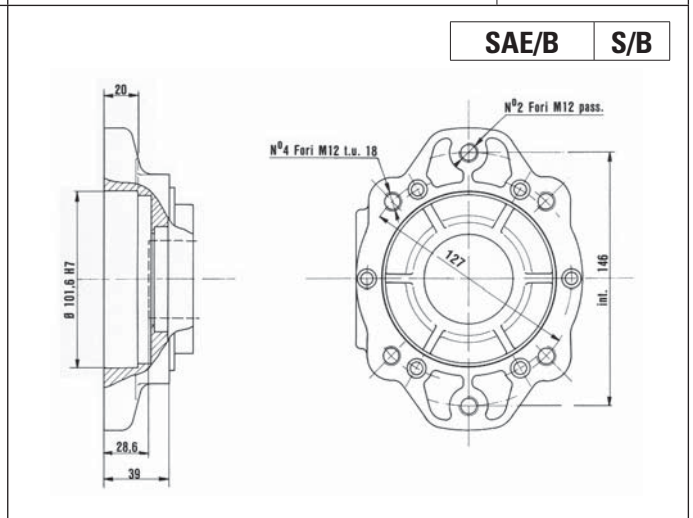
Spare part flange code **39043000**



Spare part flange code **39012500**

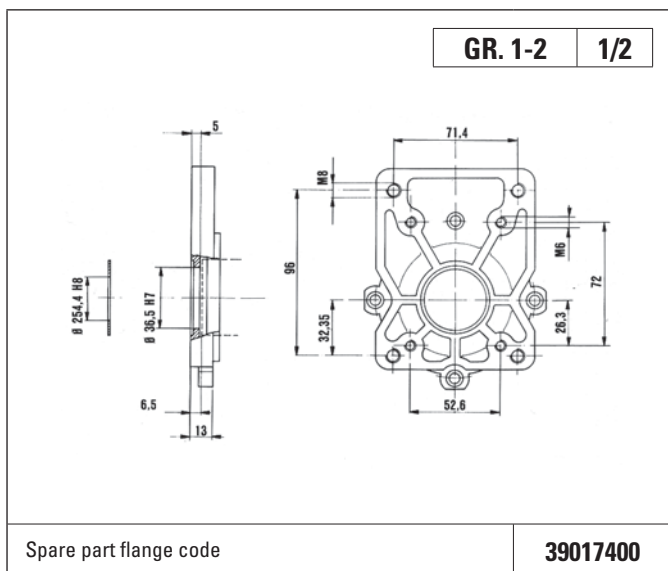


Spare part flange code **39030600**



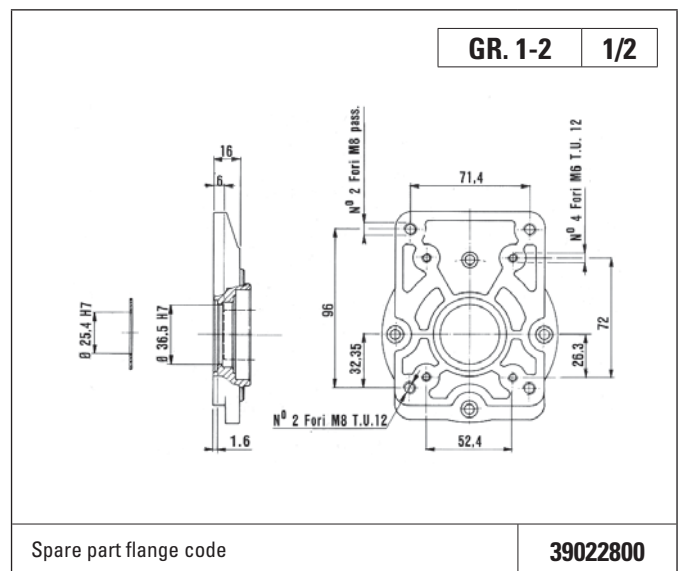
Spare part flange code **39030800**

# FLANGES IEG



Spare part flange code **39017400**

# FLANGES IM05



Spare part flange code **39022800**