

Riduttori ad assi paralleli

Planetary helical gearboxes / Planeten-Stirradgetriebe / Réducteurs à arbres cylindriques / Reductores con ejes paralelos / Redutores de eixos paralelos

	$n_1 = 1500 \text{ min}^{-1}$			$n_1 = 1000 \text{ min}^{-1}$			$n_1 = 750 \text{ min}^{-1}$			T_{2ISO} [Nm]	P_T [kW]	
	i_{eff}	n_2 [min^{-1}]	P_{N1} [kW]	T_{N2} [Nm]	n_2 [min^{-1}]	P_{N1} [kW]	T_{N2} [Nm]	n_2 [min^{-1}]	P_{N1} [kW]			T_{N2} [Nm]
PH 225	13.34	112	127.8	10500	75	95.9	11850	56	78.5	12950	24200	70
	14.72	102	119.2	10800	68	89.5	12200	51	73.1	13300	22400	
	15.75	95	127.5	12400	63	95.8	14000	48	78.1	15250	22000	
	17.37	86	118.8	12750	58	89.3	14400	43	72.9	15700	22000	
	19.49	77	107.5	12950	51	80.9	14650	38	66.0	15950	22000	
	22.50	67	95.6	13300	44	71.7	15000	33	58.6	16350	22000	
	27.00	56	82.9	13850	37	62.3	15650	28	50.6	16950	20400	
PH 325	46.70	32	53.9	15350	21	40.5	17350	16	33.0	18900	24200	53
	51.51	29	50.3	15800	19	37.8	17850	15	30.8	19450	22400	
	55.13	27	53.7	18100	18	40.3	20450	14	32.9	22300	22000	
	65.05	23	47.8	19050	15	35.9	21500	12	29.3	23450	22000	
	71.74	21	44.6	19600	14	33.5	22150	10.5	27.2	24000	22000	
	81.43	18	40.8	20350	12	30.6	23000	9.2	24.0	24000	22000	
	89.80	17	38.0	20950	11	28.6	23700	8.4	21.7	24000	22000	
	104.22	14	34.2	21900	9.6	25.0	24000	7.2	18.7	24000	22000	
	116.9	13	31.1	22300	8.6	22.3	24000	6.4	16.7	24000	22000	
	125.9	11.9	30.0	23200	7.9	20.7	24000	6.0	15.5	24000	22000	
	141.3	10.6	27.2	23600	7.1	18.4	24000	5.3	13.8	24000	22000	
	163.1	9.2	22.9	23000	6.1	15.7	23600	4.6	12.0	24000	22000	
	195.8	7.7	15.4	18450	5.1	10.5	18900	3.8	8.0	19250	20400	
PH 425	169.8	8.8	23.9	24670	5.9	17.0	26230	4.4	13.1	27000	22000	42
	200.3	7.5	20.8	25300	5.0	14.7	26900	3.7	11.1	27000	22000	
	227.7	6.6	18.7	25790	4.4	13.0	27000	3.3	9.8	27000	22000	
	250.8	6.0	17.2	26170	4.0	11.8	27000	3.0	8.9	27000	22000	
	268.6	5.6	16.2	26450	3.7	11.0	27000	2.8	8.3	27000	22000	
	285.0	5.3	15.6	27000	3.5	10.4	27000	2.6	7.8	27000	22000	
	330.8	4.5	13.4	27000	3.0	9.0	27000	2.3	6.7	27000	22000	
	336.3	4.5	13.2	27000	3.0	8.8	27000	2.2	6.6	27000	22000	
	390.3	3.8	11.4	27000	2.6	7.6	27000	1.9	5.7	27000	22000	
	421.0	3.6	10.6	27000	2.4	7.0	27000	1.8	5.3	27000	22000	
	471.6	3.2	9.4	27000	2.1	6.3	27000	1.6	4.7	27000	22000	
	488.6	3.1	9.1	27000	2.0	6.1	27000	1.5	4.5	27000	22000	
	567.0	2.6	7.8	27000	1.8	5.2	27000	1.3	3.9	27000	22000	
	590.3	2.5	7.5	27000	1.7	5.0	27000	1.3	3.8	27000	22000	
	685.1	2.2	6.5	27000	1.5	4.3	27000	1.1	3.2	27000	22000	
	755.6	2.0	5.9	27000	1.3	3.9	27000	1.0	2.9	27000	22000	
	827.9	1.8	5.4	27000	1.2	3.6	27000	0.9	2.7	27000	22000	
	913.0	1.6	4.9	27000	1.1	3.2	27000	0.8	2.4	27000	22000	
	1024	1.5	4.3	27000	1.0	2.9	27000	0.7	2.2	27000	22000	
	1183	1.3	3.8	27000	0.8	2.5	27000	0.6	1.9	27000	22000	
1419	1.1	2.4	20930	0.7	1.7	22250	0.5	1.3	23240	20400		

Rapporti superiori sono possibili. Contattare il ns. Servizio Tecnico Commerciale per eventuali richieste

Higher ratios are available. Contact our Technical Service for possible questions

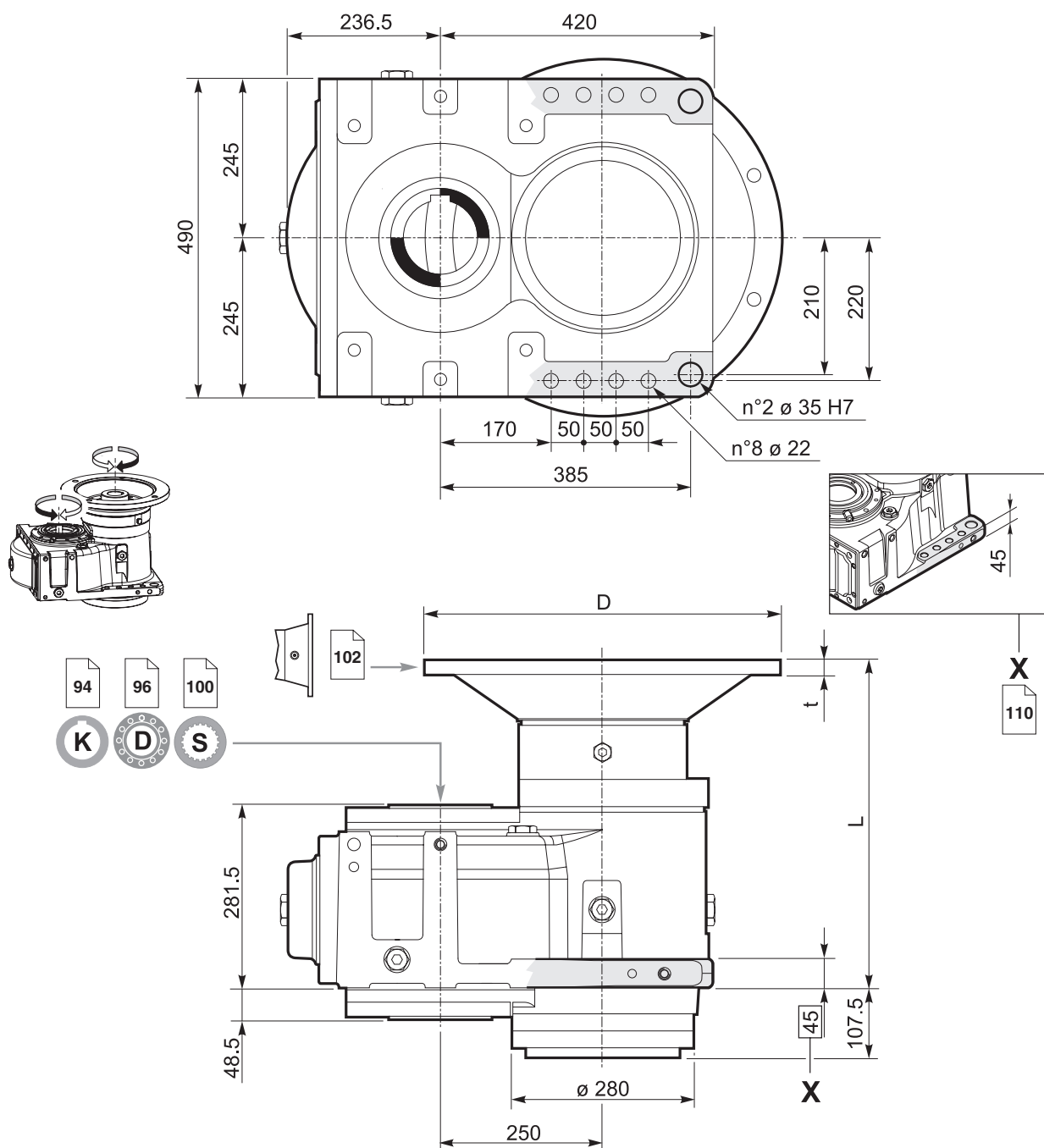
Höhere Übersetzungen sind möglich, Kontaktieren Sie unseren technischen Vertriebsservice für Ihre Anfragen

Rapports supérieurs possibles, contacter notre service technico-commercial pour toute information

Una relación superior es posible. Solicitar información a nuestro Servicio Técnico Comercial

Relações superiores podem ser disponíveis. Entre em contato com o nosso Serviço Técnico Comercial para obter informações

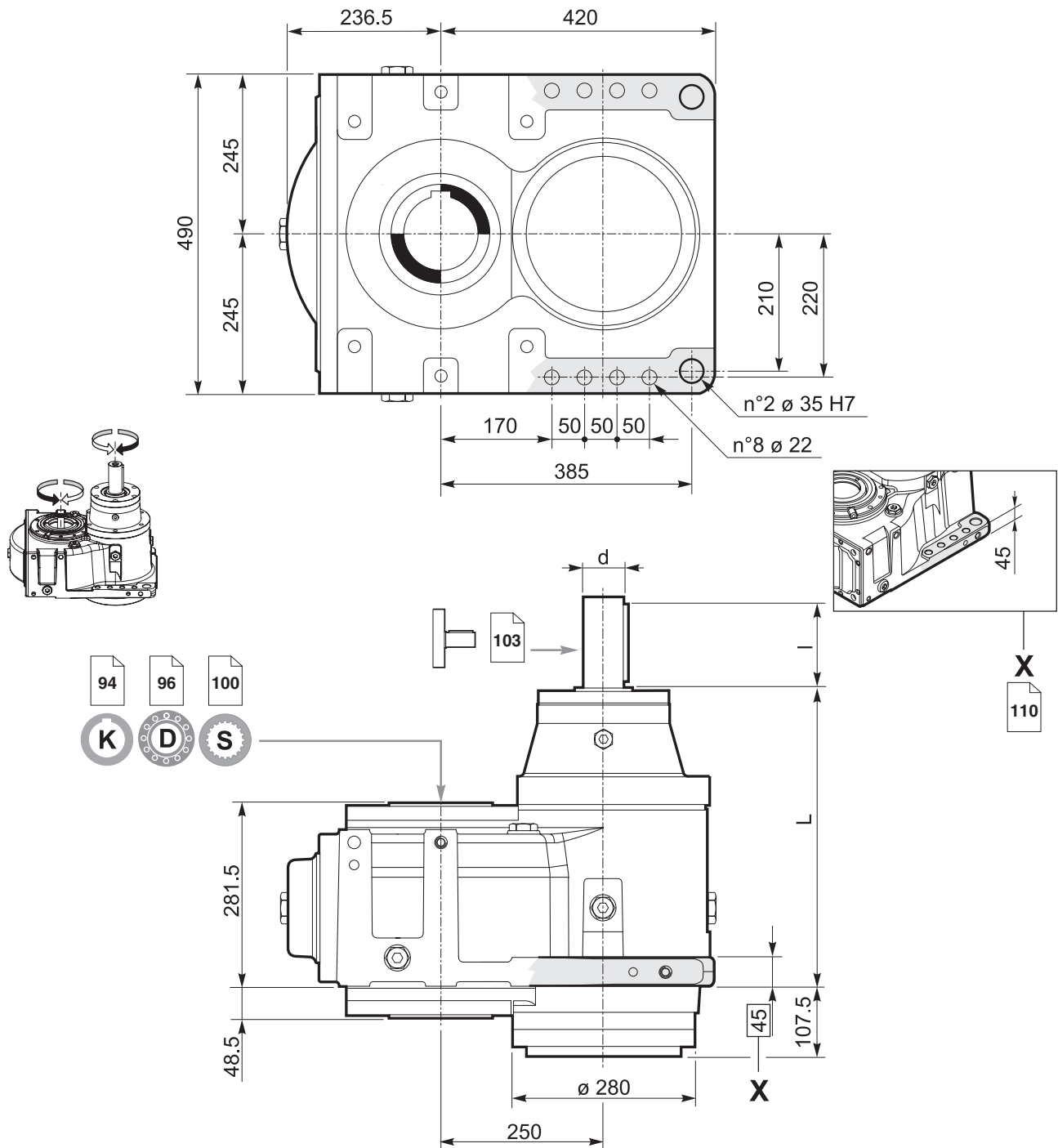




Predisposizioni IEC / IEC Adaptor / IEC-Motorlaterne Prédisposition IEC / Predisposición para el motor IEC / Adaptador IEC									
INPUT 00	100 - 112	132	160	180	200	225	250	280	
—	250	300	350	350	350	450	550	550	D
—	15	16	20	20	20	22	25	25	t
PH 225	318.5	—	—	—	465	495	437.5	437.5	L
PH 325	359.5	—	454.5	465	465	495	497.5	—	
PH 425	427.5	455.5	522.5	553.5	553.5	—	—	—	

Riduttori ad assi paralleli

Planetary helical gearboxes / Planeten-Stirradgetriebe / Réducteurs à arbres cylindriques / Reductores con ejes paralelos / Redutores de eixos paralelos

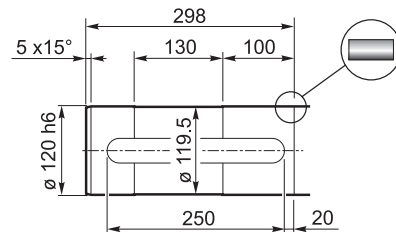
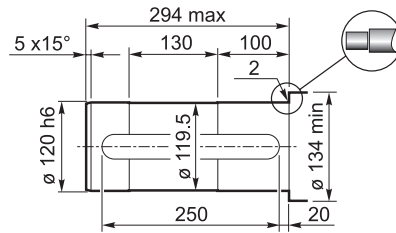
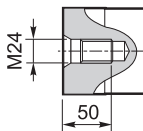
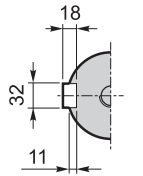
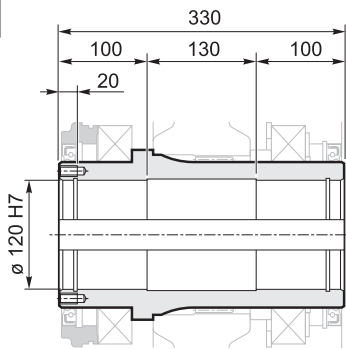


	L	I	d
PH 225	463.5	105	65 m6
PH 325	463.5	105	65 m6
PH 425	490	105	65 m6

K

Albero cavo con cava per linguetta / Hollow shaft with keyway
Hohlwelle mit Passfedernut / Arbre creux avec rainure de clavette
Eje hueco con chavetero / Eixo oco com rasgo para chaveta

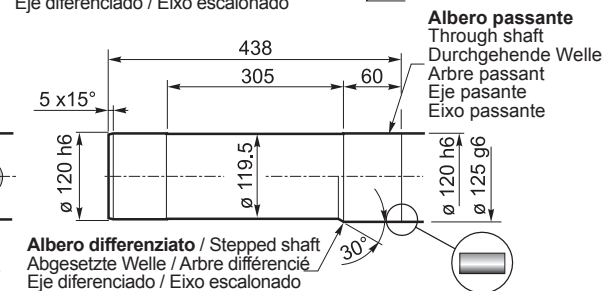
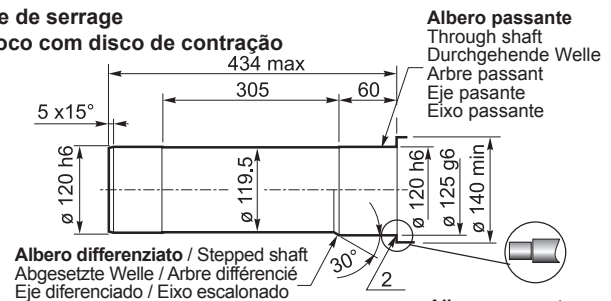
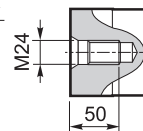
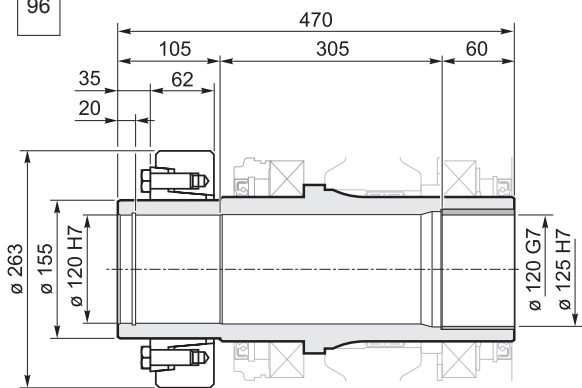
94



D

Albero uscita cavo con calettatore / Hollow shaft for shrink disc
Hohlwelle mit Schrumpfscheibe / Arbre sortie creux avec frette de serrage
Eje de salida hueco con disco de contracción / Eixo de saída oco com disco de contração

96



S

Albero uscita cavo scanalato / Splined hollow shaft
Hohlwelle mit Vielkeilprofil / Arbre sortie creux rainuré
Eje de salida hueco acanalado / Eixo de saída oco estriado

100

