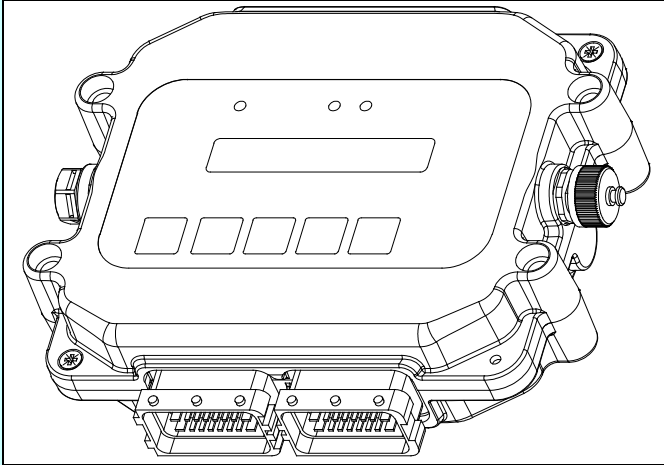


# Modular multi-function electronic card

## Mx93 Series



### On request

- 20x2 characters alphanumeric display with five push buttons keypad (MD93)

### Description

- Modular multi-function electronic board for moment, area, load control and direct piloting of electrohydraulic distributors
- Two independent channels signal processing system with cross check control
- For 12/24 Vdc power sources
- Two independent CAN bus networks for complex systems integrations (e.g.: CAN Open and J1939)
- Data Logger available on request
- Diagnostic and configuration via CAN bus or RS-232 serial port (also with push buttons and display for MD93 and MG93 models)
- Supplementary RS-232 serial port for remote diagnostic through GSM modem
- Compact construction in BPE housing. Maximum two boards in the same housing
- Category 3 (EN 954-1) or PLd (EN 13849-1) subordinated to transducers doubling
- Anti-condensate ventilation valve

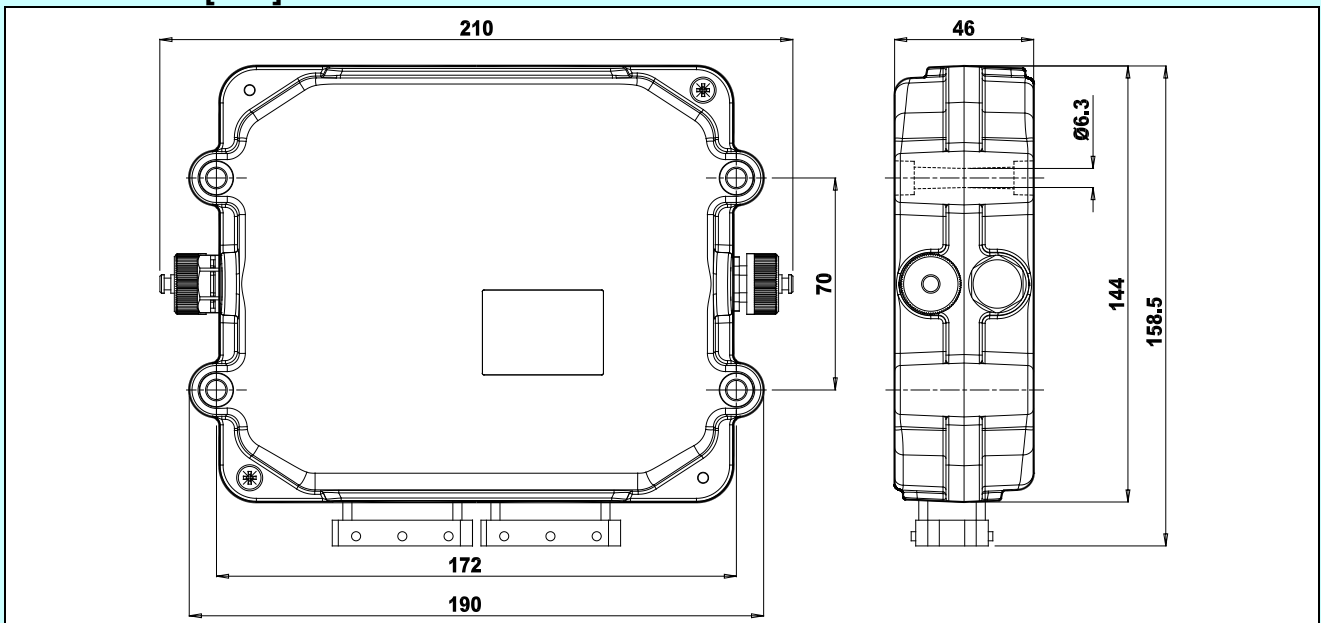
- 64x128 pixels monochromatic display with five push buttons keypad (MG93)

### Technical data

Power supply	9 to 33 Vdc	Protected against polarity reversal
Analog inputs	8 from 0 to 5 Vdc or 8 from 0 to 10 Vdc or 8 from 4 to 20 mA 4 configurable as above and 2 differential	Protected against short circuits and operator errors
Digital inputs	14 + 2	4 inputs configurable as digital inputs Two inputs can be read as frequency ones (maximum 2kHz)
ON/OFF digital outputs	6 (7 more as optional on M12 connectors)	Positive. $I_{max} = 3 A^{(1)}$ . Protected against short circuits. 6 configurable as analog Danfoss outputs
Proportional PWM outputs	2x1 (1x1 for Danfoss™ version)	Positive. $I_{max} = 3 A^{(1)}$ . with current feedback (mutually exclusive). Protected against short circuits
Safety digital outputs	2	Positive. $I_{max} = 3 A^{(1)}$ . Protected against short circuits
CAN / RS-232 connections	2 / (1 or 2)	Second serial port on request
Operating temperature	•	See next page
Standard protection grade	IP66	-
Electric connection	2 FCI SICMA2 24 poles	Optional M12 connectors for RS-232 and auxiliary digital outputs
EMC conformity	EN 61000-6-2, EN61000-6-3	Heavy industrial

<sup>(1)</sup> Total maximum output current: 10 A

### Dimensions [mm]





## Scheda elettronica modulare multifunzione

### Mx93 Series

#### MD93



- 20x2 characters alphanumeric display
- Five push buttons keypad (MD93)
- Operating temperature: from -20 to +70 °C, extended range from -40 to +70 °C as optional

#### MG93



- 64x128 pixels monochromatic display
- Five push buttons keypad
- Operating temperature: from -20 to +70 °C

#### M93



- Operating temperature: from -40 to +70 °C
- Stackable

BPE Electronics Srl should modify technical data without advise

Mx93 v.1.04.2012