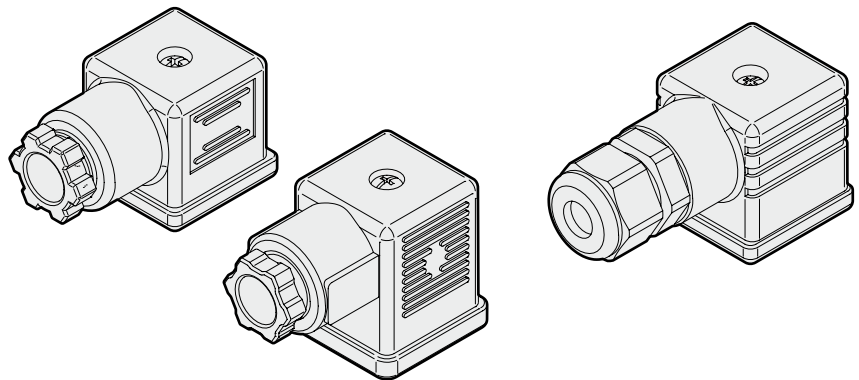
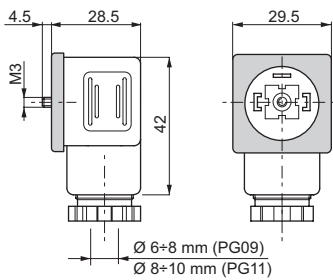


# CONNECTORS

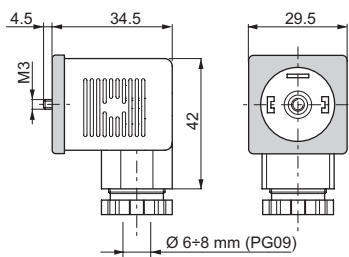


## CONNECTORS FOR CONTROL VALVES IN ACCORDANCE WITH DIN 43650 / ISO 4400



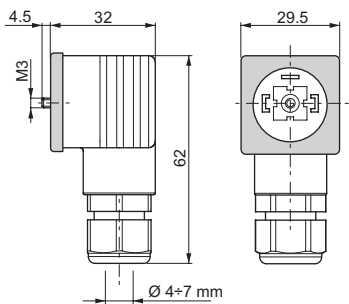
Connector	Protection level	Type	Cable gland	Code
Standard	IP65	Black color	PG09	V86050002
		Grey color	PG09	V86050004
		Black color	PG11	V86050006
		Grey color	PG11	V86050008
Lens cover with pilot light	IP65	12 VAC/VDC	PG09	V86100018
		24 VAC/VDC	PG09	V86100012
		115 VAC/VDC	PG09	V86100020
		230 VAC/VDC	PG09	V86100022

Screw tightening torque: 0.60 Nm



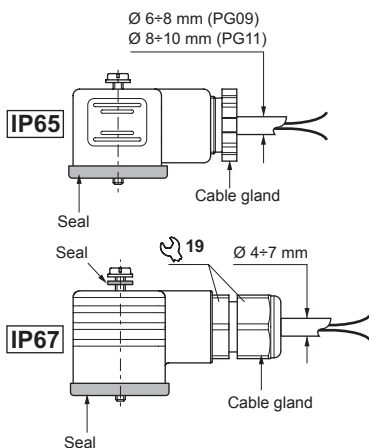
Connector	Protection level	Type	Cable gland	Code
With rectifier <i>Inlet voltage 12÷230 VAC</i> <i>Outlet voltage 9÷205 VDC</i>	IP65	Black color	PG09	V86200002
		Grey color	PG09	V86200004
Lens cover with pilot light and rectifier <i>Inlet voltage 12÷230 VAC</i> <i>Outlet voltage 9÷205 VDC</i>	IP65	12 VAC	PG09	V86250018
		24 VAC	PG09	V86250019
		48 VAC	PG09	V86250020
		115 VAC	PG09	V86250021
		230 VAC	PG09	V86250022

Screw tightening torque: 0.60 Nm



Connector	Protection level	Type	Cable gland	Code
With protection level IP67	IP67	Black color	—	V86280001
		Grey color	—	V86280002

Screw tightening torque: 0.60 Nm

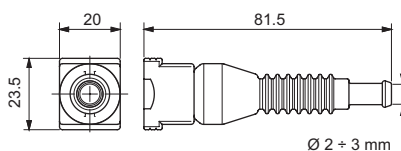


### ELECTRICAL FEATURES OF CONNECTORS

Description	IP65	IP67
AC rated voltage	Max. 250 V	Max. 250 V
DC rated voltage	Max. 300 V	Max. 300 V
Pin contact nominal current	10A	10A
Pin contact max. current	16A	16A
Max. section cable	1.5 mm <sup>2</sup>	1.5 mm <sup>2</sup>
Cable gland PG09 - M16x1,5	Ø cable 6 ÷ 8 mm	Ø cable 4 ÷ 7 mm
Cable gland PG11 - G 1/2" - M20x1,5	Ø cable 8 ÷ 10 mm	—
Protection level	IP65 EN60529	IP67 EN60529
Insulation class	VDE 0110-1/89	VDE 0110-1/89
Operating temperature	-40°C ÷ 90°C	-20°C ÷ 80°C

The degrees of protection indicate is guaranteed only if the connectors were properly mounted with his original seals.

### AMP JUNIOR CONNECTORS



Connector	Type	Cable section	Pin contact max current	Code
AMP Junior connector Timer 2 contact	Black color	0,5 ÷ 1,5 mm <sup>2</sup>	10A	RKRC0808000