

HIGH EFFICIENCY CONVEYOR DRIVES MADE BY BREVINI POWER TRANSMISSION

YOUR GLOBAL PARTNER FOR DRIVE PACKAGES AND GEARBOXES



Iron ore mine, northwestern Australia

ALWAYS THE BEST SOLUTION FOR EVERY CONVEYOR

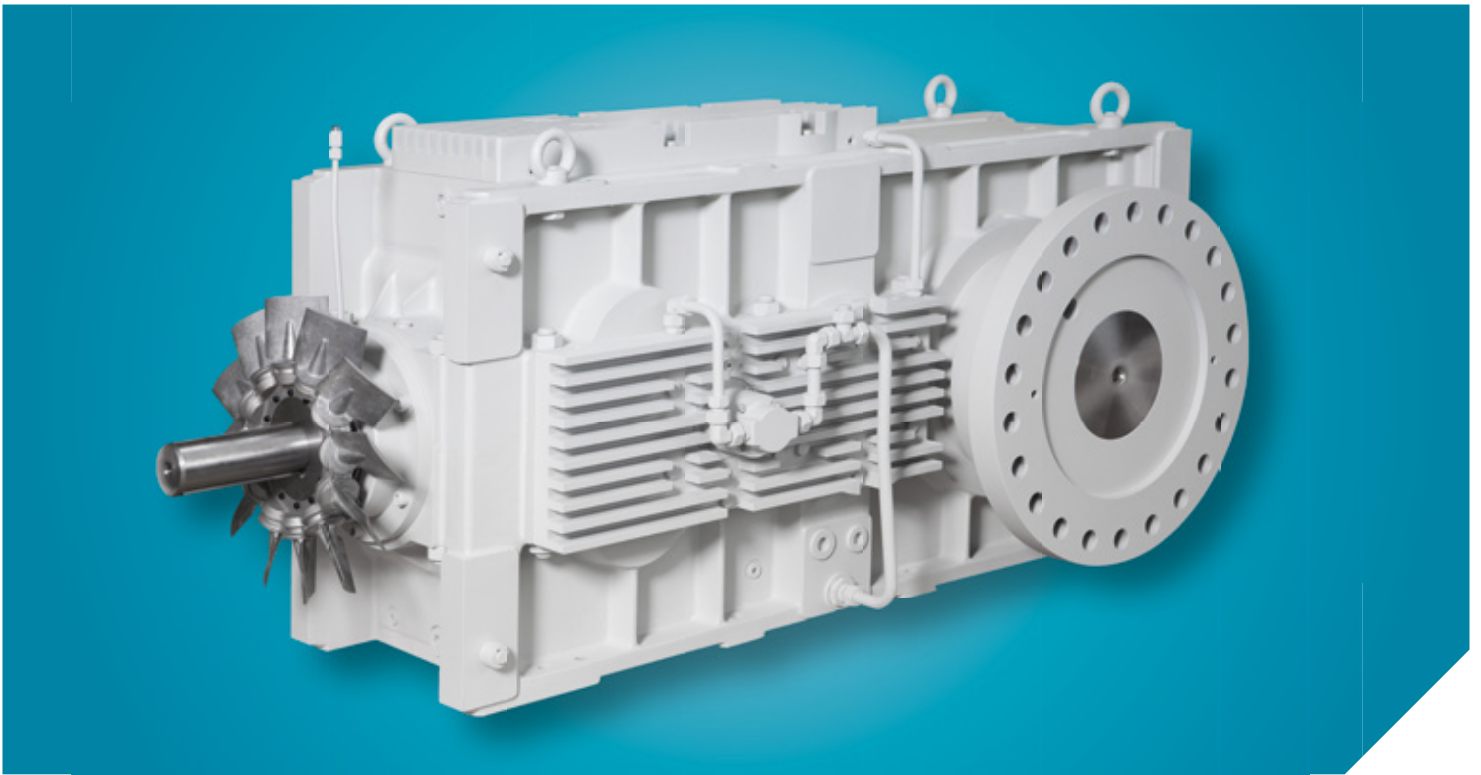
Brevini Power Transmission, a company of Brevini Group, designs and manufactures planetary transmissions, parallel and right angle gearboxes and winches for industrial applications and self propelled machines.

Today Brevini Power Transmission is amongst the Top 10 companies worldwide in the field of mechanical power transmission and is one of the Top 5 producers of industrial power transmission.

The new conveyor drive series **POSIRED ADVANCED** is made in Germany by PIV Drives, also a Brevini company. PIV has been known worldwide for more than 80 years as a producer of mechanical gear units that meet the demanding requirements of modern industry – in terms of quality, reliability, exceptional performance and life expectancy. These are some of the main reasons for the good “Made in Germany“ reputation of PIV products.

“THE ADVANTAGES OF
OUR HIGH EFFICIENCY
GEARBOXES ALLOW YOU
TO SAVE MONEY.”

The Brevini Group has a consolidated turnover of 430 million euro with a total of 2.500 employees world-wide, doing business with its own subsidiaries in 26 countries and exclusive representatives in all other major markets of the world.



New Brevini conveyor drive series POSIRED ADVANCED

INCREASED BENEFITS FOR LOWER COSTS

The new Brevini conveyor drive range is especially designed for the tough requirements of our customer's applications in the mining and bulk material handling industry. It features an impressive improvement of thermal performance and enhanced mechanical efficiency.

The heart of our concept is the modular thermal system. It allows improvement of the performance of conveyor drives according to the specific needs of the application.

HIGHER MECHANICAL EFFICIENCY AND INCREASED THERMAL CAPACITY

The modular system of our **POSIRED ADVANCED** gear-boxes together with our new modular thermal system guarantees the best solution for our customers: tailored to meet your power requirements and perfectly adapted to local conditions.

ADVANTAGES*

- Higher mechanical efficiency
- Increased thermal capacity
- Increased torque capacity
- Total cost of ownership decreased across the range
- Extended oil change period: increases up to 7.500 hours (up to 15.000 hours for synthetic oils)

* Speak to your local Brevini representative

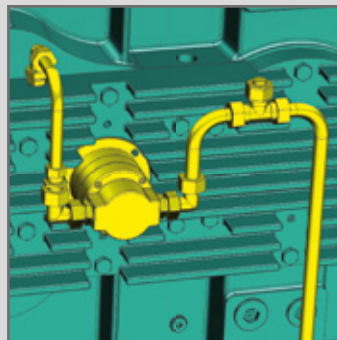
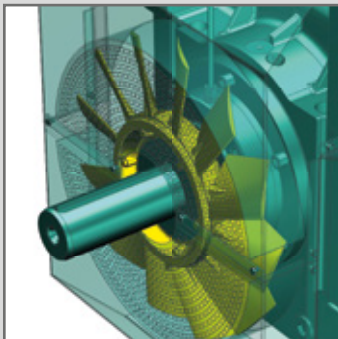
OUR NEW POSIRED ADVANCED CONVEYOR DRIVE – PERFECT FOR CRITICAL THERMAL CONDITIONS

The new Brevini **POSIRED ADVANCED** range for conveyors combines these advantages:

1. Worldwide proven performance and extraordinary reliability of the Posired 2 concept for helical and bevel helical gearboxes.
2. The new modular thermal system together with optimisation of the design of our existing gearbox concept.

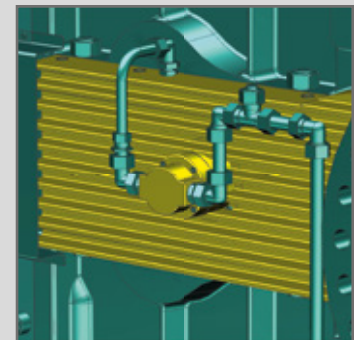
Further improved efficiency, higher torques and a massive improvement of thermal capacity made possible through significant mechanical and thermal improvements.

Outstanding mechanical performance and increased thermal capacity of our new conveyor drive reducers offers competitive advantages. In many cases selection of smaller gearbox is possible.



SOPHISTICATED LUBRICATION SYSTEM WITH MECHANICAL OIL PUMP

Integral forced lubrication system to reduce oil change period, improve bearing life and increase thermal capacity.

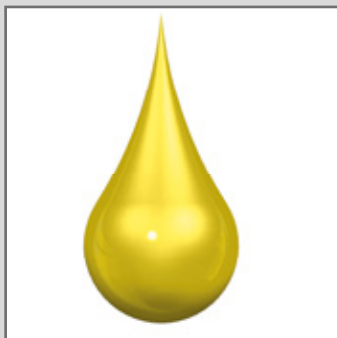


COVER PLATES WITH ACTIVE COOLING FINS

on both sides and top of housing for better air-cooling. Fins for extended surface area and integrated oil pipes for bearing lubrication.

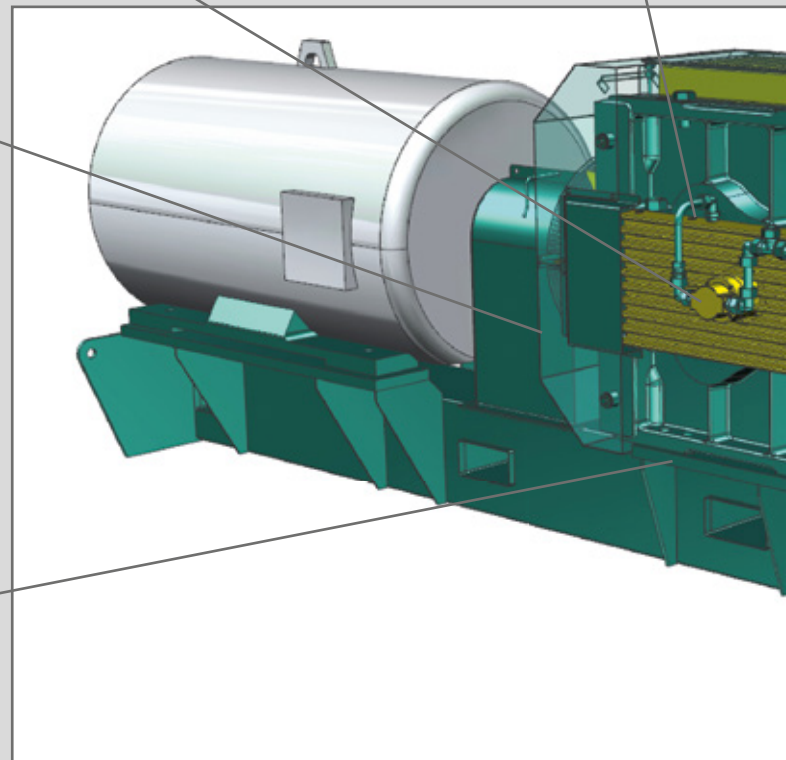
AXIAL COOLING FAN

Higher air flow rate for better cooling of the gearbox.



OPTIONAL SYNTHETIC OIL

Higher efficiency, increased thermal capacity, extended oil change period, higher oil temperature possible, lower costs of lubrication.



PRODUCT RANGE POSIRED ADVANCED – NEW CONVEYOR DRIVE:

- 3 stage bevel helical gearboxes
- Sizes 31 to 85
- Ratios 18 to 112 (lower ratios on request)
- Output torques up to 940.000 Nm

Accessories and options

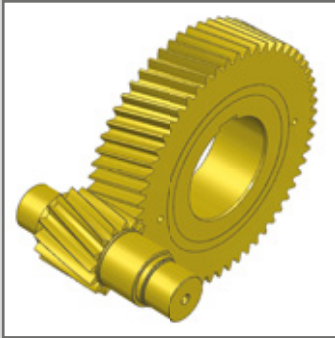
from our standard **POSIRED 2** range, such as:

- back stops,
- external cooling systems,
- heating systems,
- double extended shafts

“UP TO 20% IMPROVED
PERFORMANCE AND
HIGHER EFFICIENCY.”

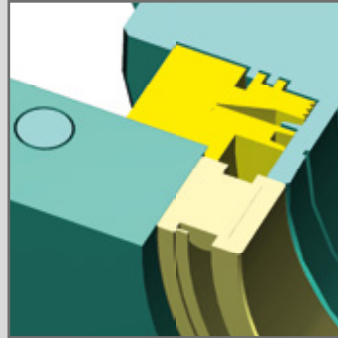
RETROFIT TO EXISTING DRIVES:

With our conveyor tuning kit and our modular thermal system we can easily improve the performance of your existing PIV conveyor drives. Our sales representatives will be happy to discuss all options with you.



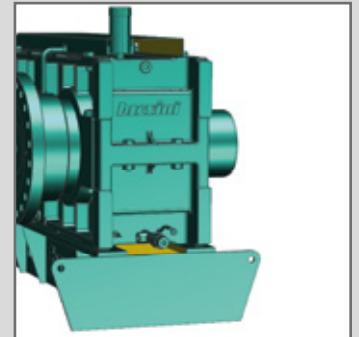
OPTIMISED TEETH

Higher torques, less power dissipation and increased thermal capacity.



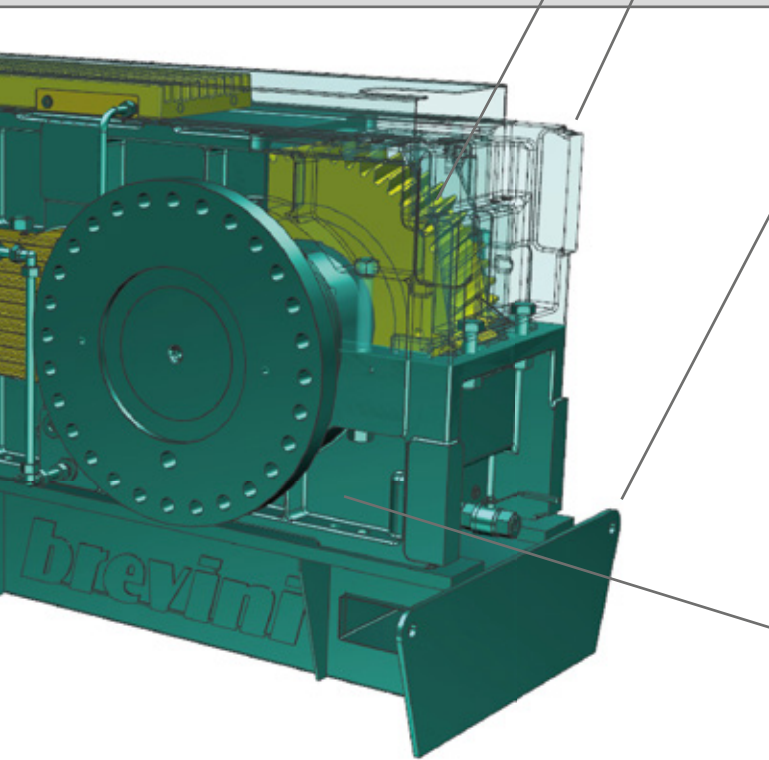
CONTACTLESS SEALS

on input and output. Higher efficiency, increased thermal capacity, lower oil level, lower inspection costs.



SWING BASE WITH AIR CONDUCTION

Integral air tunnel along the underside of the gearbox sump giving increased air flow and cooling effect.



HIGH QUALITY HOUSING

For higher stiffness, and less deformation, which lead to longer bearing life. Standard Material EN GJL 500-7 (GGG50).

WHENEVER THE “JOB IS TOUGH” WE FIND THE RIGHT SOLUTION

To satisfy the demands of our world wide clients in the mining and material handling industry Brevini offers a wide range of products: from planetary gearboxes or helical and bevel helical gearboxes and winches to complete drive packages, including motors, couplings, brakes and base frames.

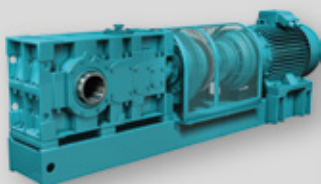
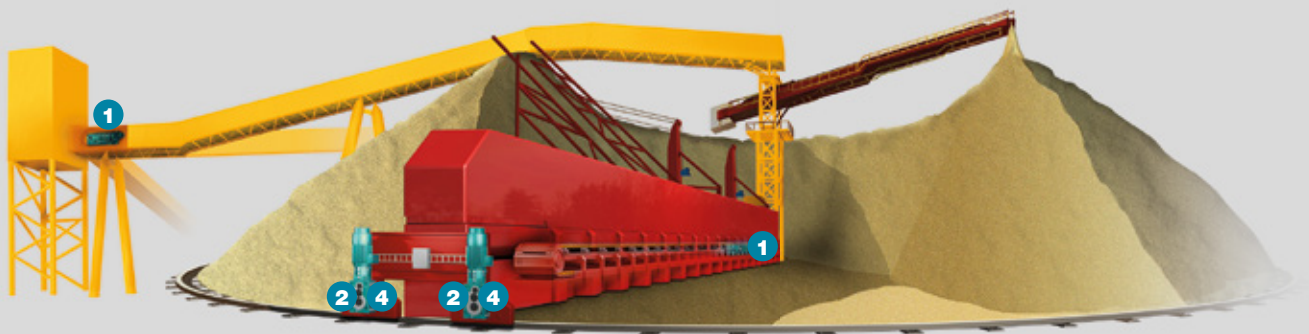
Whether you are looking for standard gearboxes or individual solutions engineered specifically for your needs – we always find the right answer.

In applications that require low-speed power transmission, the gearbox is at the heart of every movement. So whenever “the

job is tough”, Brevini and PIV product lines offer advanced, innovative solutions. We work closely with the client, always in search of excellent results.

Hundreds of conveyor drives and other gear boxes are running at full satisfaction of the leading mining companies in all continents.

We are passionate about technology and innovative solutions. “Continuous innovation” is our daily point of reference, and we constantly present new and updated products according to the changing needs of our reference markets.

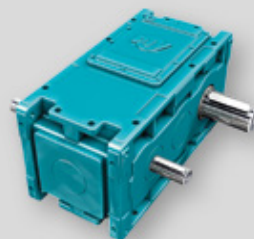


**1 HIGH EFFICIENCY
NEW CONVEYOR DRIVE**
Nominal output torques:
up to approx. 940.000 Nm

**PROVEN STANDARD
POSIRED 2 HELICAL AND
BEVEL-HELICAL GEARBOXES**
Nominal output torques:
up to 2.000.000 Nm



**2 UNIVERSAL AND COMPACT
RIGHT ANGLE GEAR MOTOR**
Nominal output torques:
up to 25.000 Nm



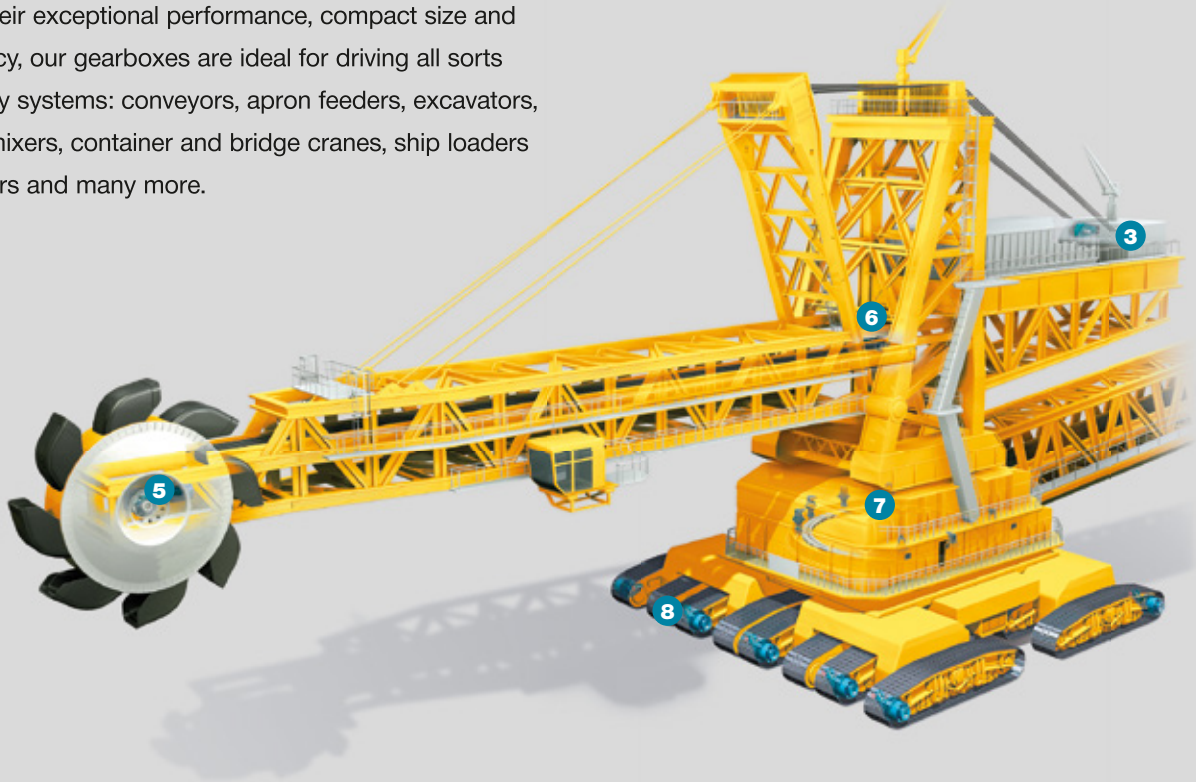
**3 GEARBOXES FOR LIFTING
WITH EXTENDED CENTRE
DISTANCE**
Nominal output torques:
up to 1.000.000 Nm



**4 COMPACT SHAFT MOUNTED
GEARBOXES**
Nominal output torques:
up to 35.000 Nm

“ENGINEERED SOLUTIONS AND COMPLETE PACKAGES FOR LARGE CONVEYOR APPLICATIONS: HIGH EFFICIENCY, PROVEN RELIABILITY, HIGH THERMAL CAPACITY, INTELLIGENT AIR FLOW FOR HEAT DISSIPATION.”

Thanks to their exceptional performance, compact size and high efficiency, our gearboxes are ideal for driving all sorts of heavy duty systems: conveyors, apron feeders, excavators, shredders, mixers, container and bridge cranes, ship loaders and unloaders and many more.



5 THE BEST OF TWO TECHNOLOGIES – HIGH POWER GEARBOXES
Nominal output torques: up to 2.500.000 Nm



7 COMPACT AND EFFICIENT PLANETARY SLEWING DRIVES
Nominal output torques: up to 135.000 Nm



6 HIGH TORQUE S SERIES PLANETARY GEARBOXES
Nominal output torques: up to 2.500.000 Nm



8 FLEXIBLE AND MODULAR PLANETARY GEARBOXES
Nominal output torques: up to 170.000 Nm



PIV Drives, Germany: hall for assembly of gearboxes up to 40 tonnes

QUALITY MADE IN GERMANY ...

The PIV Drives plant in Bad Homburg is located near Frankfurt with convenient access to most countries in the world. On a surface area of 60.000 square metres, including a new assembly hall for gear boxes up to 40 tonnes, PIV produces in-line and right angle gearboxes as well as single and twin screw extruder drives. All the core competencies you need in our business are located in Bad Homburg: research, development, design, production and testing of gearboxes. Experienced engineers as well as latest production technologies guarantee the development and production of top quality gearboxes and customised technological solutions for all kinds of demanding industrial applications.

“A COMPLETE RANGE OF SOLUTIONS FOR YOUR DEMANDING POWER TRANSMISSION NEEDS.”

Thanks to the high quality of its products made in Germany, the PIV Drives product line has a solid position and excellent reputation in the marketplace.

▼ Gearbox manufacturing and assembly, quality control





Brevini Power Transmission, Italy: planetary gearbox manufacturing

... AND INNOVATION MADE IN ITALY

Brevini Power Transmission is a mechanical engineering company that is active all around the world with headquarters in Italy and production facilities in Italy, Germany, China, the USA and Brazil.

The planetary gearbox that is the result of Brevini Power Transmission research is also gaining ground in “high torque” applications and in systems with dimensional restrictions, where the compact size, lower cost, and high performance of the planetary gearbox are most successful. Brevini products are always at the leading edge of technology.

THE NEW HEADQUARTERS

The new Brevini Power Transmission headquarters in Reggio Emilia has a total surface area of 83.000 square metres.

The office building covers 8.000 square metres, the production area 15.000 square metres, and its production lines were created according to the Brevini Manufacturing System, which adopts Lean Manufacturing principles to suit Brevini’s needs.

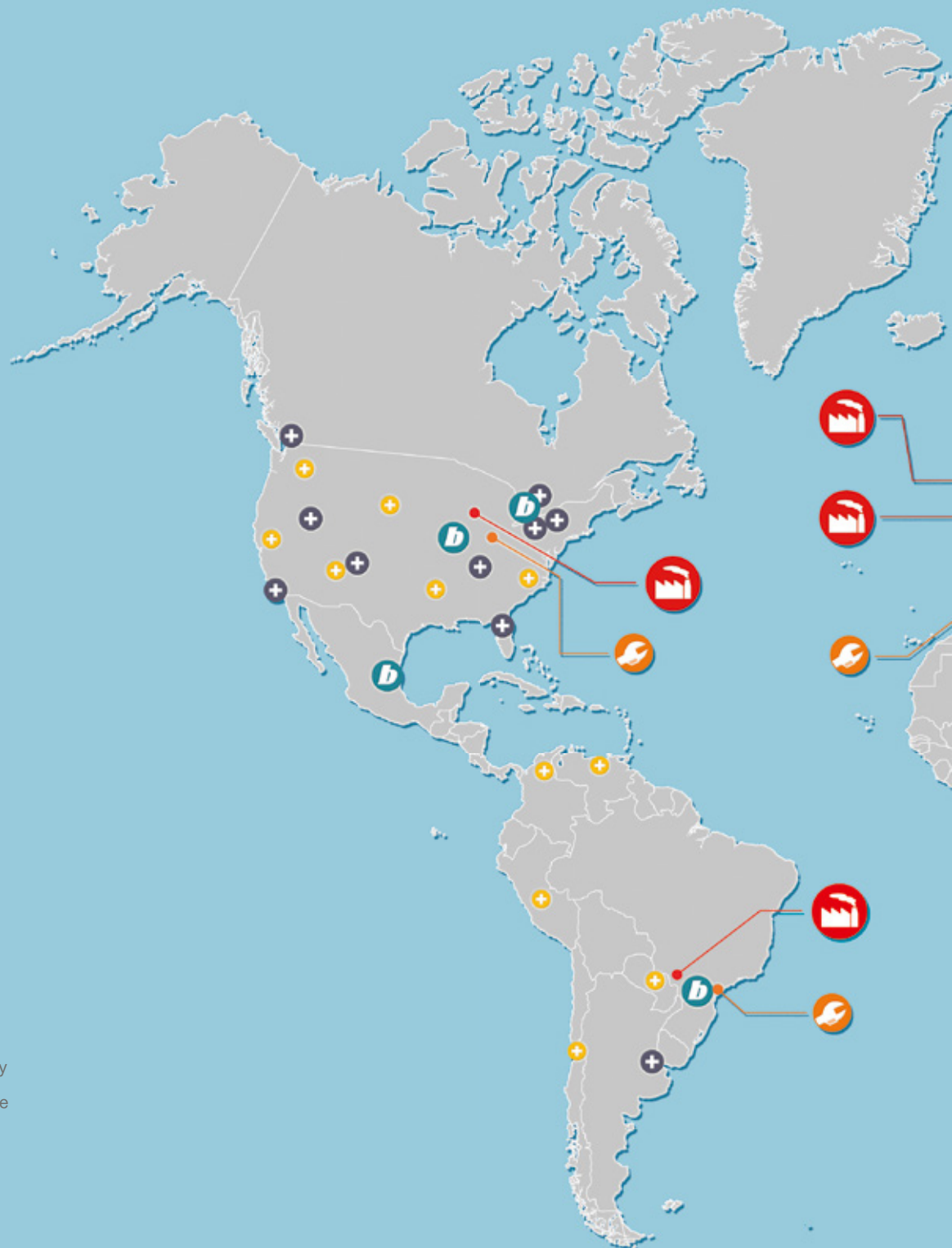
▼ Brevini Power Transmission Headquarters in Reggio Emilia




OUR GLOBAL SUPPLY CHAIN ALWAYS CLOSE TO THE CUSTOMER

Our clients recognise our great service: engineering and design consultation, our ability to understand the needs and functioning of complex machines, and a deep respect of the relationship and partnership between client and supplier. On every latitude and in various markets, Brevini's strategy focuses on growth, as it has happened in Germany or China,

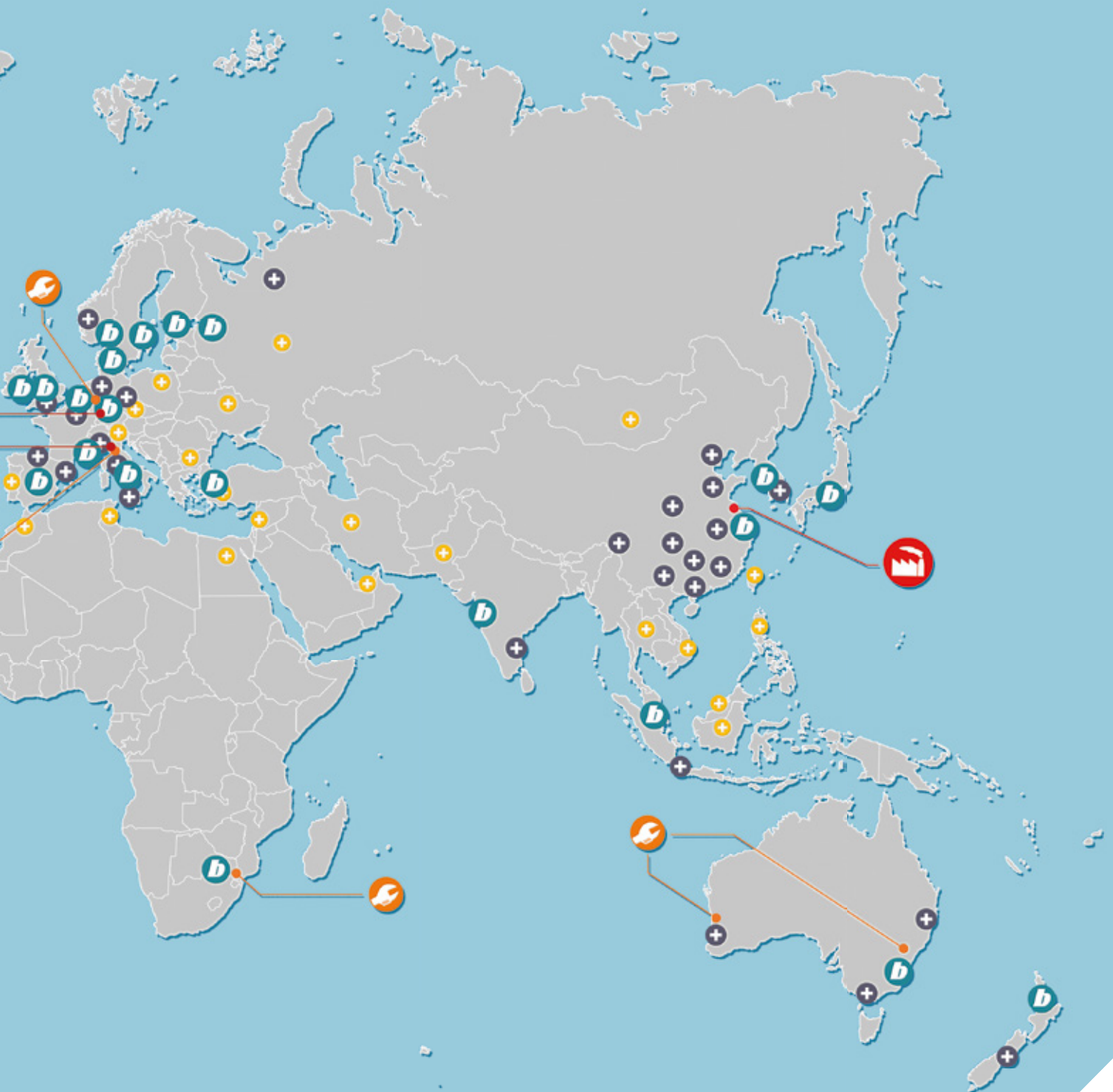
and as it will happen in Brazil and other countries in the near future. But, the final objective of establishing production units is always to get close to the customer and to better serve local markets. The point of departure will always be our sales and service subsidiaries, the true heart of Brevini Power Transmission's global approach.



BREVINI WORLDWIDE

-  Manufacturing Plant
-  Sales & Assembly Subsidiary
-  Engineering & Service Centre
-  Sales Regional Office
-  Authorized Distributor

“26 SUBSIDIARIES AND
5 PRODUCTION PLANTS:
QUALITY PRODUCTS AND
WORLDWIDE SERVICE.”





CONTACT US

OUR MAIN SUBSIDIARIES FOR THE MINING INDUSTRY

GERMANY

PIV Drives GmbH

Justus-von-Liebig-Straße 3
61352 Bad Homburg/Germany
Phone +49 (0) 6172 102 0
Fax +49 (0) 6172 102 380
info@piv-drives.com

AUSTRALIA

Brevini Australia Pty. Ltd.

147-149 Gilba Road,
Girraween
NSW 2145 Australia
Phone +61 2 8848 4000
sales@brevini.com.au

CANADA

Brevini Canada Ltd.

236 Galaxy Blvd.
Toronto ON M9W 5R8
Phone +1 416 6742591
amurphy@brevini.ca

SOUTH AFRICA

Brevini Power Transmission

South Africa Pty Ltd
38 a Apex Road
1540 Benoni, Johannesburg
Phone +27 11 421 9949
cccrause@brevinisa.co.za

HEADQUARTERS

Brevini Power Transmission S.p.A.

Via Luciano Brevini 1
42124 Reggio Emilia/Italy
Phone +39 0522 9281
Fax +39 0522 928200
info@brevini.com

BRAZIL

Brevini Latino Americana Industria e Comercio Ltda.

Av. Mal. Arthur
Costa e Silva, 963
13487-220-Limeira-SP-Brazil
Phone +55 19 3446 8600
brevin@brevini.com.br

MEXICO

Brevini de México, S.A. de C.V.

Av. 5 de Febrero No. 1351
Torre Roble, Despacho 206
Parque Industrial Benito
Juárez
C.P. 76120
Santiago de Querétaro, Qro
Phone +1 800 4002736
solicitudes@brevinidemexico.com

USA

Brevini USA, Inc.

14141 W. Brevini Drive
Yorktown, IN 47396
Phone: +1 765 759 2300

Visit our Brevini YouTube channel:



Visit our PIV YouTube channel:

