

# A.88... MODULAR FLOW CONTROL VALVES

## FAST / SLOW ASSEMBLY CETOP 5



This is a modular assembly ON/OFF solenoid valve which, by fitting a suitable 2 way regulator, allows two speed operation in the same system via an electrical changeover command.

Max. operating pressure	320 bar
Hydraulic fluids	Mineral oils DIN 51524
Fluid viscosity	10 ÷ 500 mm <sup>2</sup> /s
Fluid temperature	-25°C ÷ 75°C
Ambient temperature	-25°C ÷ 60°C
Max. contamination level	class 10 in accordance with NAS 1638 with filter $\beta_{25} \geq 75$
Weight with a DC solenoid	4,2 Kg

**The flow rate regulator type QC.3.2 must be ordered separately.**  
**The limit of use curves have been obtained with the regulator fully closed, and those same limits improve gradually with the opening of the regulator.**

The test have been carried out at operating temperature, with a voltage 10% lower than rated voltage and with a fluid temperature of 50 degrees C. The fluid used was a mineral based oil with a viscosity of 46 mm<sup>2</sup>/sec at 40 degrees C.

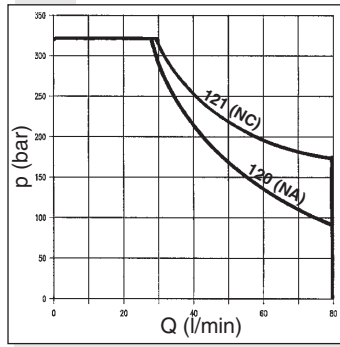
• Solenoids used are standard type A16 for DC voltage.

<b>A.88...</b>	
"A16" DC COILS	CH. I PAGE 35
STANDARD CONNECTORS	CH. I PAGE 19
QC.3.2...	CH. III PAGE 2
SCREWS AND STUDS	CH. IV PAGE 36

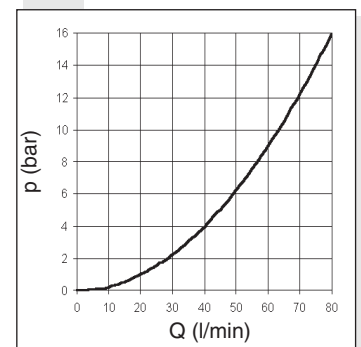
### ORDERING CODE

<b>A</b>	Speed control valve
<b>88</b>	Size
<b>E</b>	Electrical operator
<b>***</b>	<b>120</b> = Normally open <b>121</b> = Normally closed See table "Hydraulic symbols"
<b>*</b>	Control on lines <b>A/B/P/T</b> (see symbols) The interface holder "H" must be turned by 180° in order to obtain the <b>A1</b> and <b>B1</b> versions.
<b>*</b>	Voltage : see tab.1
<b>**</b>	Variants: see tab.2
<b>3</b>	Serial No.

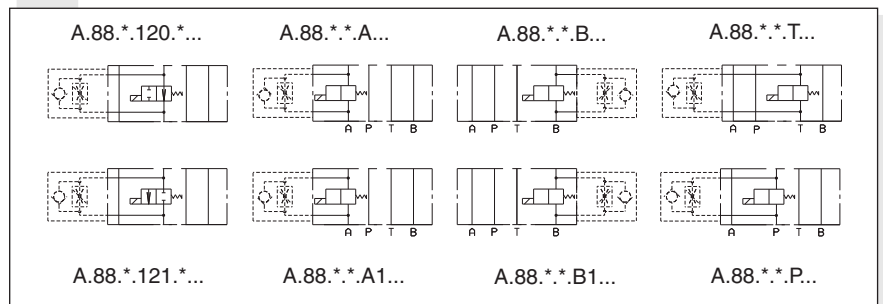
### LIMITS OF USE DC SOLENOID



### FREE FLOW THROUGH SPOOL



### HYDRAULIC SYMBOLS



### TAB.1 - A16 COIL

#### DC VOLTAGE \*\*

<b>L</b>	12V	115Vac/50Hz 120Vac/60Hz with rectifier
<b>M</b>	24V	
<b>N</b>	48V*	230Vac/50Hz 240Vac/60Hz with rectifier
<b>P</b>	110V*	
<b>Z</b>	102V*	
<b>X</b>	205V*	
<b>W</b>	Without DC coil	

Voltage codes are not stamped on the plate, their are readable on the coils.

\* Special voltage

\*\* Technical data see page XII • 7

### TAB.2 - VARIANTS

No variant (without connectors) S1(\*)  
 Viton SV(\*)

Other variants available on request

(\*) Coils with Hirschmann connection supplied without connectors. The connectors can be ordered separately, ch. I page 19.

